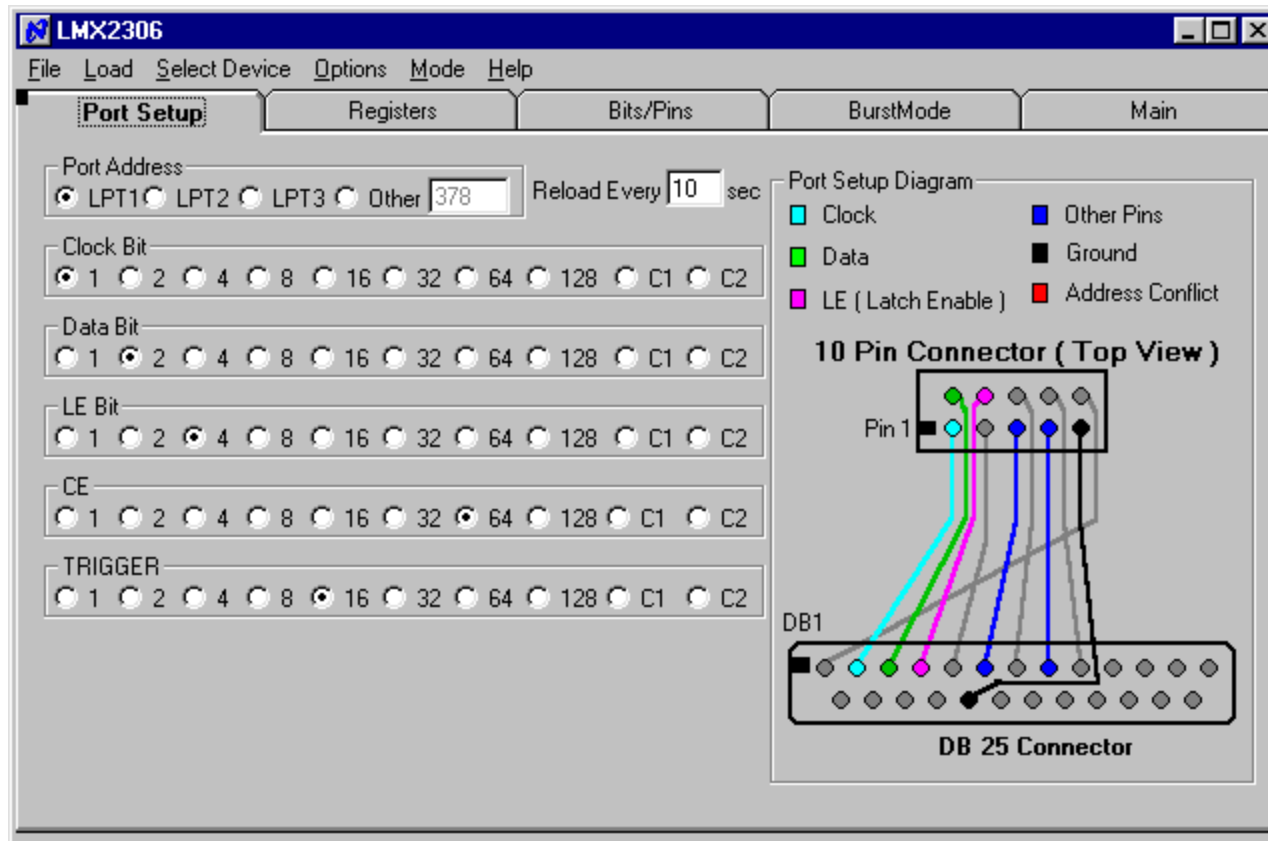
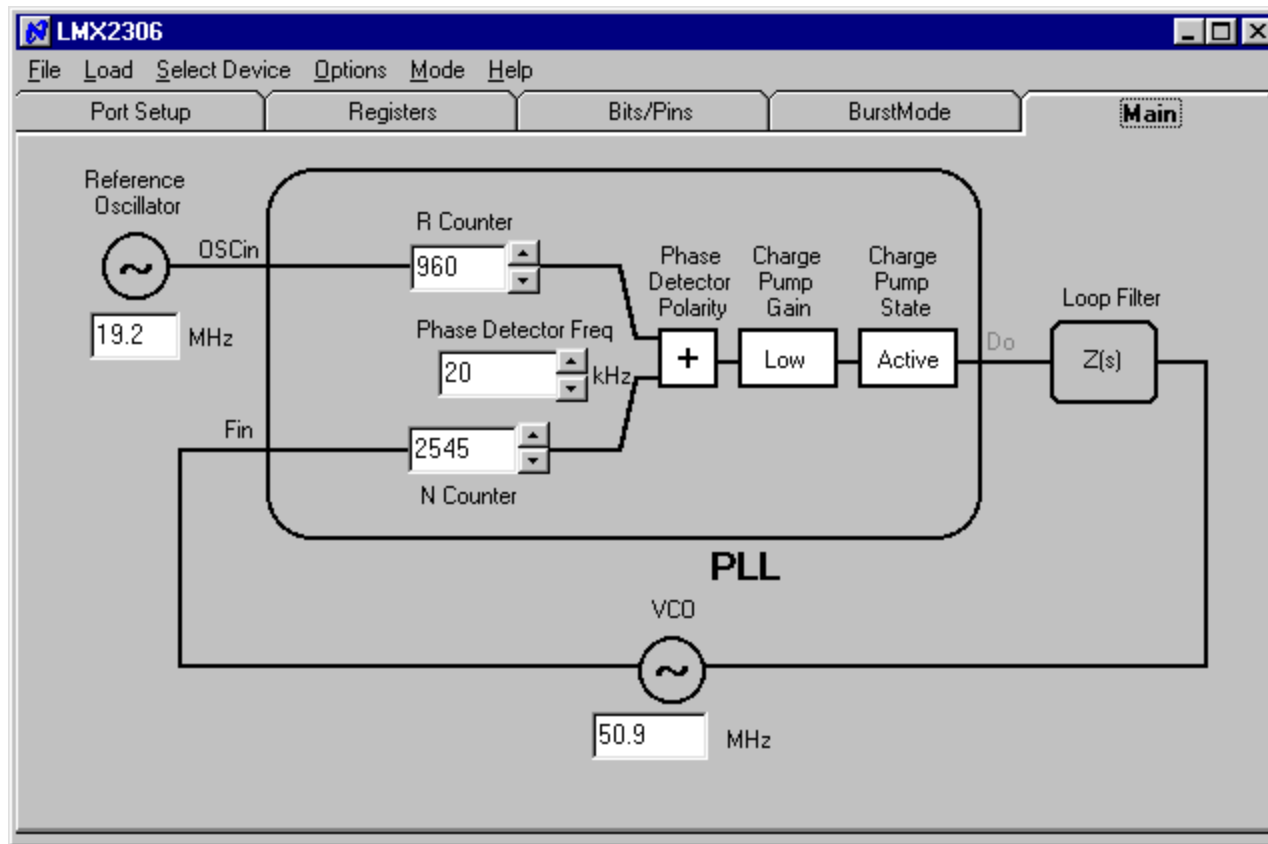


# Code Loader Port Setup



# Code Loader With Settings Shown for 50 MHz Band



# Code Loader FoLD Pin Setup

