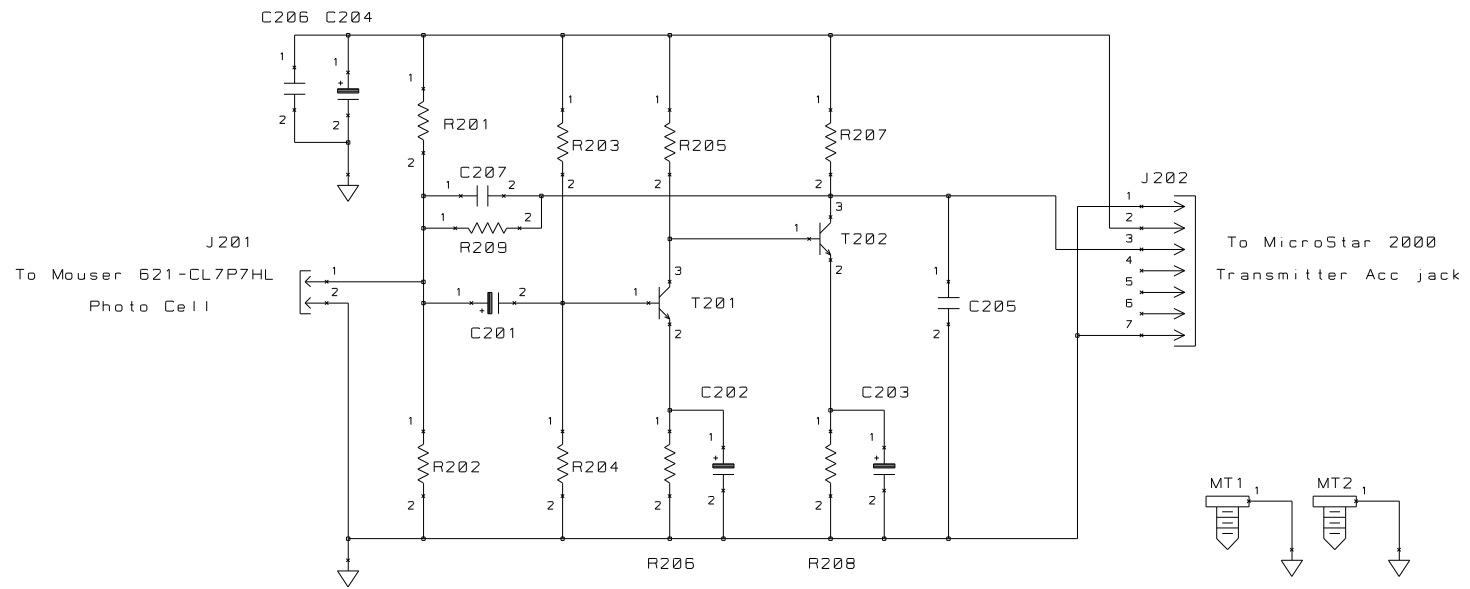
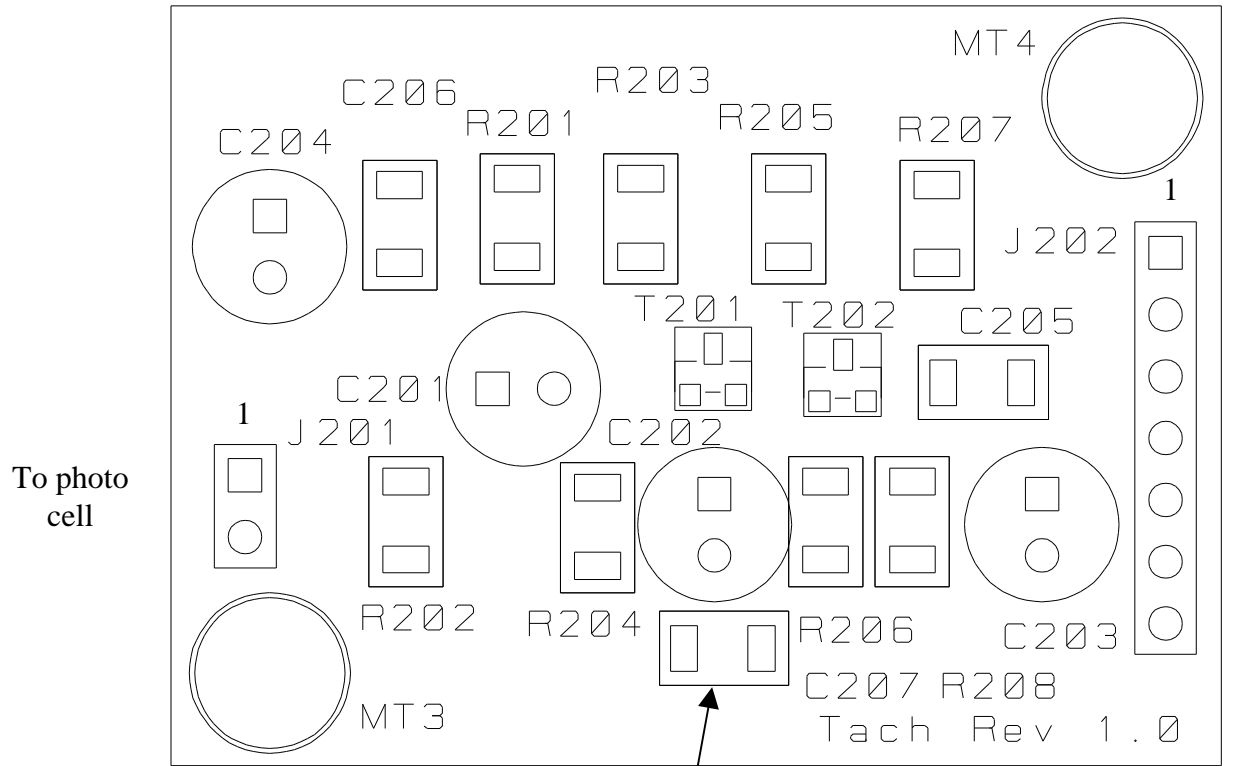


CONTRACT NO.		COMPANY NAME GAA Custom Electronics			
APPROVALS	DATE	DWG TACH Assembly Drawing			
DRAWN	GAA	SIZE	FSCM NO.	DWG NO.	REV.
CHECKED		B			1.1
ISSUED		SCALE			SHEET



CONTRACT NO.		COMPANY NAME			
APPROVALS DATE		GAA Custom Electronics			
DRAWN		DWG MicroStar 2000, Tach			
CHECKED	GAA	SIZE	FSCM NO.	DWG NO.	REV.
ISSUED		B			1.1
SCALE				SHEET 1	

Tach Top, Component side



R209 soldered on top of C207

TACH Parts List

Item	Quantity	ID	Part number	Description	Supplier	Cost each	Total cost	Notes
1	4	C201,C202,C203, C204	P981-ND	22uF 35V cap	Digikey	0.22	0.88	
2	3	C205,C206,C207	140-CC502B103K	.01uF 1206, X7R cap	Mouser	0.072	0.216	
3	5	R201,R202,R205,R 207,R208	263-2.2K	2.2K resistor 1206	Mouser	0.019	0.095	
4	1	R203	263-5.1K	5.1K resistor 1206	Mouser	0.019	0.019	
5	1	R204	263-1K	1K resistor 1206	Mouser	0.019	0.019	
6	1	R206	263-100	100 ohm resistor 1206	Mouser	0.019	0.019	
7	1	R209	263-22K	22K resistor 1206	Mouser	0.019	0.019	
8	2	T201,T202	FMMT2222ACT-ND	NPN transistor	Digikey	0.36	0.72	
9	1	J201,J202	WM4010-ND	Straight header	Digikey	0.98	0.98	
10	1		621-CL7P7HL	Photo Cell	Mouser	1.94	1.94	
11	1		929974-01-36-ND	Single row female	Digikey	1.23	1.23	
12	1		CP-1050-ND	5 pin DIN cable connector	Digikey	0.61	0.61	
13	1		RP465-ND	Strain relief	Digikey	3.32	3.32	1
14	1		537-MDC321-BI	Enclosure	Mouser	7.29	7.29	
15	1		602-1175C-100	5 conductor cable	Mouser	25.14	25.14	2
Notes						Total	42.497	
	1	Sold in pkg of 25						
	2	100 foot role						

