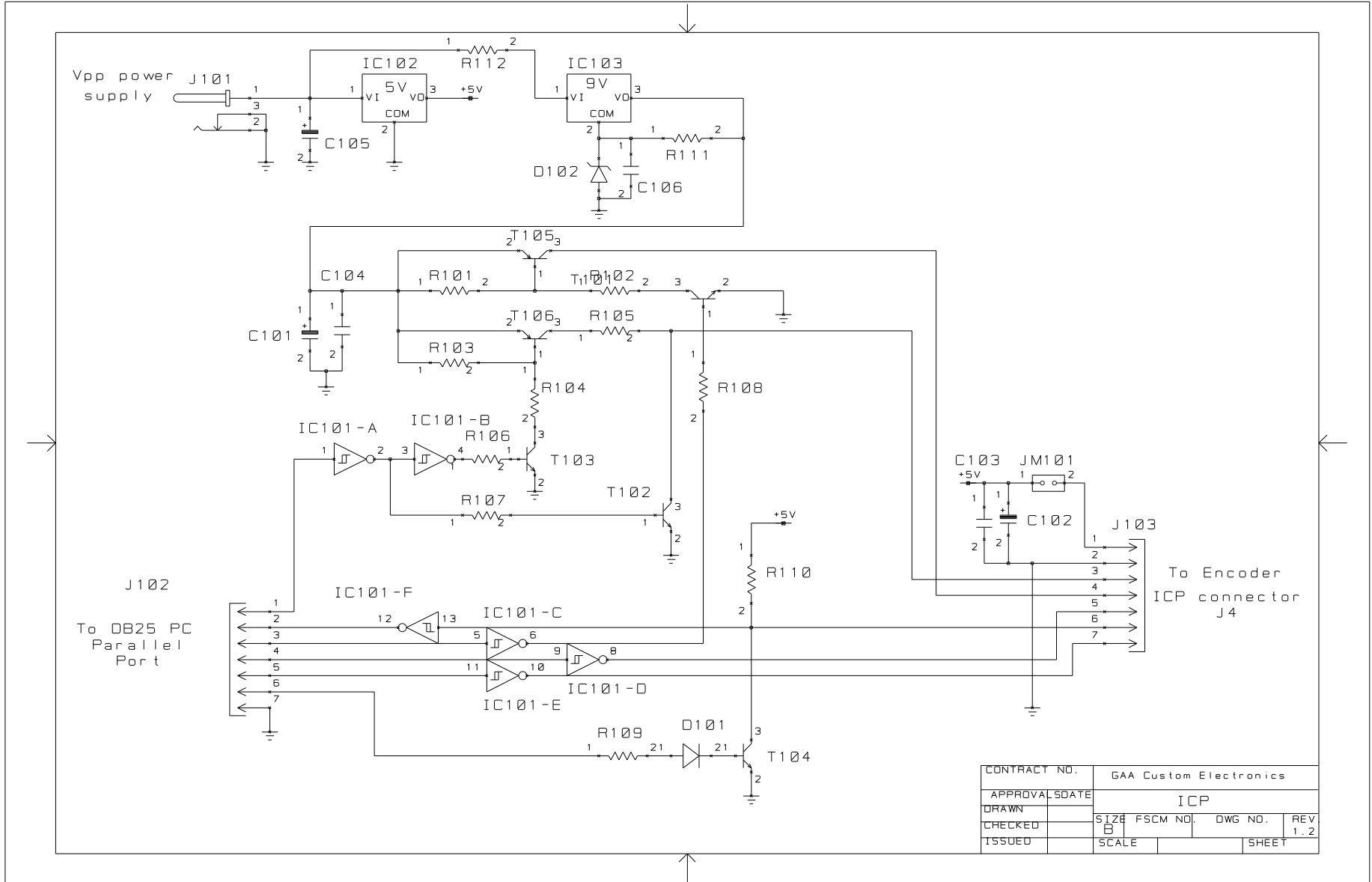


No connector are used here, flat ribbon cable is soldered directly to the PC board pads.

This adapter is required to allow connection to J4 (on the Encoder) if male pin connector is used on the encoder.

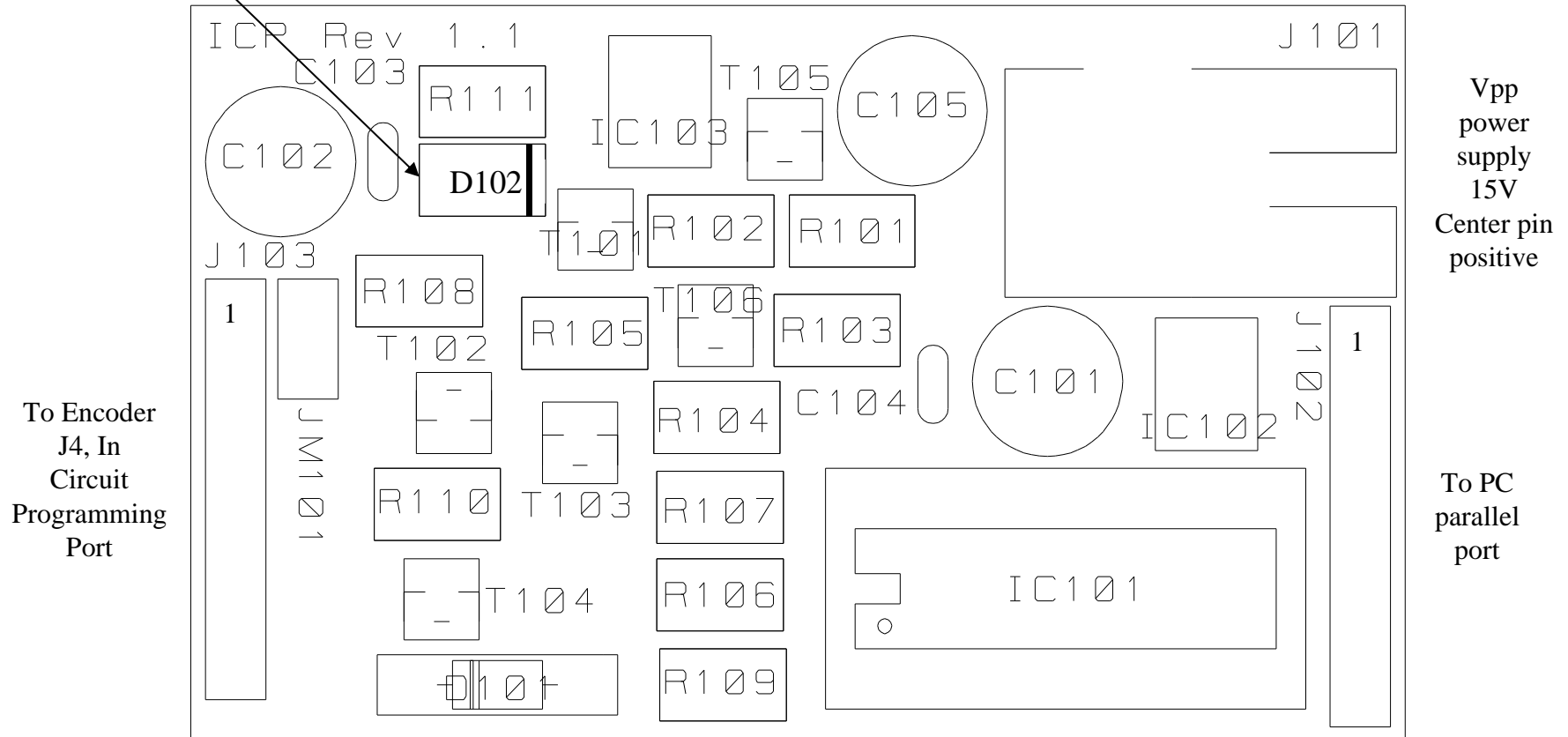
CONTRACT NO.	GAA Custom Electronics			
APPROVAL DATE	ICP Assembly Drawing			
DRAWN	SIZE	FSCM NO.	DWG NO.	REV
CHECKED	B			1.2
ISSUED	SCALE		SHEET	



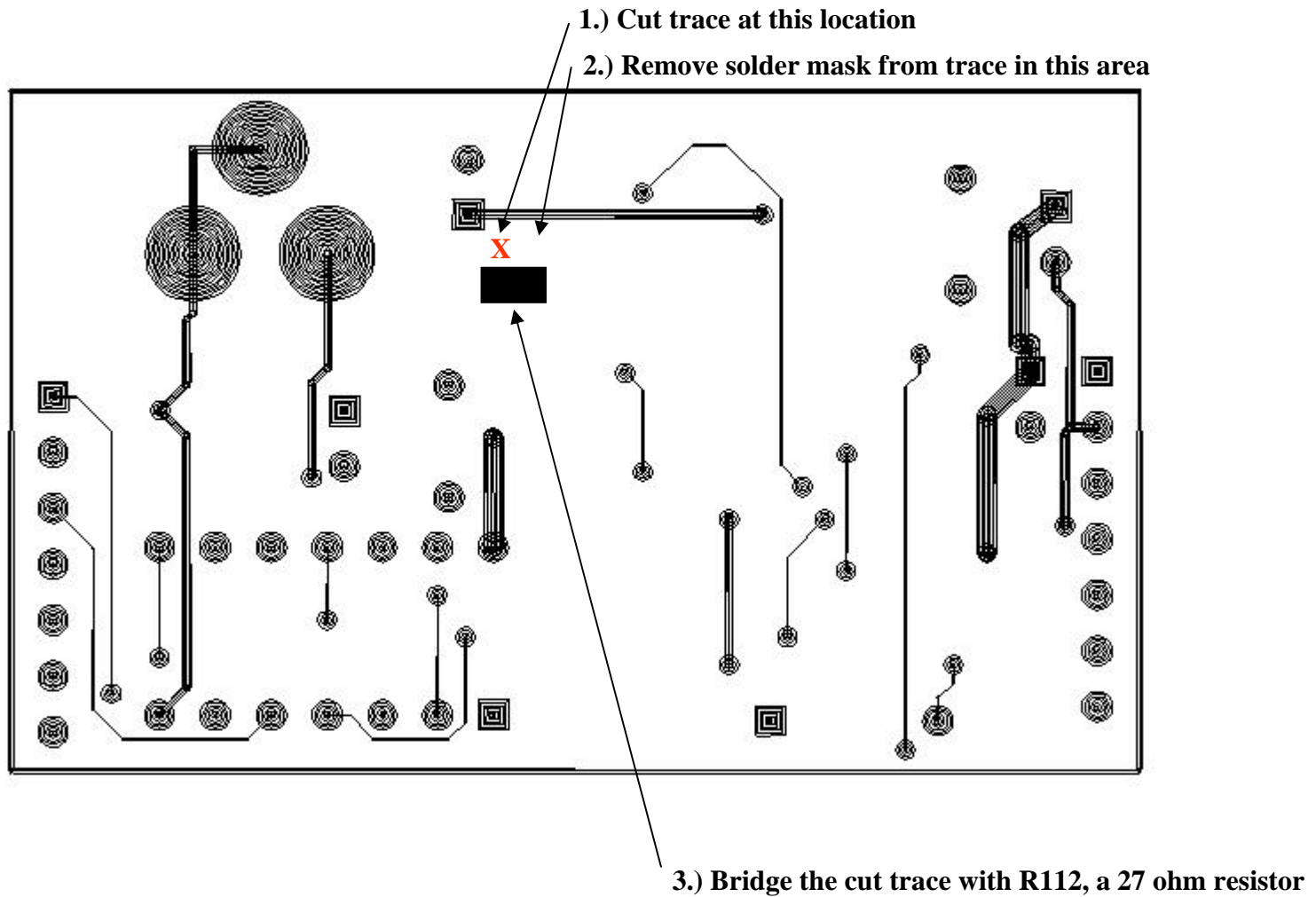
CONTRACT NO.	GAA Custom Electronics			
APPROVAL DATE	ICP			
DRAWN	SIZE	FSCM NO.	DWG NO.	REV
CHECKED	B			1.2
ISSUED	SCALE			SHEET

C106 is soldered to D102 position
and then D102 is soldered on top
of C106

ICP Top, Component Side



ICP ECO, Solder Side



ICP Parts List, Rev 1.2

Item	Quantity	ID	Part number	Description	Supplier	Cost each	Total cost	Notes
1	3	C101, C102, C105	P981-ND	22uF 35V cap	Digikey	0.22	0.66	
2	2	C103, C104	P4584-ND	.015 uF 50V	Digikey	0.132	0.264	
3	1	C106	140-CC502B104K	0.1 uF capacitor, 1205	Mouser	0.07	0.07	
4	1	R105	263-10	10 ohm resistor, 1206	Mouser	0.08	0.08	
5	5	R106, R107, R108, R109, R111	263-1K	1K resistor 1206	Mouser	0.08	0.4	
6	1	R112	263-27	27 ohm resistor 1206	Mouser	0.08		
7	1	R110	263-2.7K	2.7K resistor 1206	Mouser	0.08	0.08	
8	2	R102, R104	263-5.1K	5.1K resistor 1206	Mouser	0.08	0.16	
9	2	R101, R103	263-10K	10K resistor 1206	Mouser	0.08	0.16	
10	4	T101, T102, T103, T104	FMMT2222ACT-ND	NPN transistor	Digikey	0.36	1.44	
11	2	T105, T106	FMMT2907ACT-ND	PNP transistor	Digikey	0.36	0.72	
12	1	D101	IN914	1N914	All Electronics	0.07	0.07	
13	1	D102	MA8039CT-ND	3.9V Zener diode	Digikey	0.43	0.43	
14	1	IC101	MM74HC14N-ND	Hex Schmitt Trig Inv	Digikey	0.55	0.55	
15	1	IC102	296-1365-ND	5V Regulator, TO-92	Digikey	0.49	0.49	
16	1	IC103	NJM78L09A-ND	9V Regulator, TO-92	Digikey	0.36	0.36	
17	1	J103	S1111-36-ND	Right angle header x 1	Digikey	1.82	1.82	
18	1	J101	CP-202A-ND	2.0mm DC power jack	Digikey	0.38	0.38	
19	1		929974-01-36-ND	Single row female	Digikey	1.23	1.23	
20	1		225M-ND	25 pin D Male connector	Digikey	1.08	1.08	
21	1		972-25B-ND	25 pin D Shell	Digikey	2.64	2.64	
22	1		DCTX-1436	14VDC 360 MA power supply	All Electronics	3.5	3.5	
			552-PSC-15A-150S	15V 1A power supply	Mouser	12.95	0	1

Grand Total

16.584

Notes

1 Alternate part number

